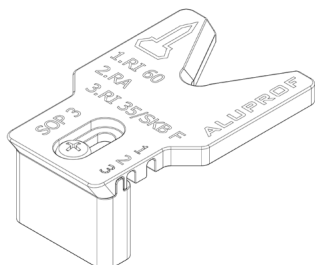


We would like to inform you that since October 01, 2019, new **SOP3** template for holes marking have been introduced to our offer.

## SOP 3

**NEW**

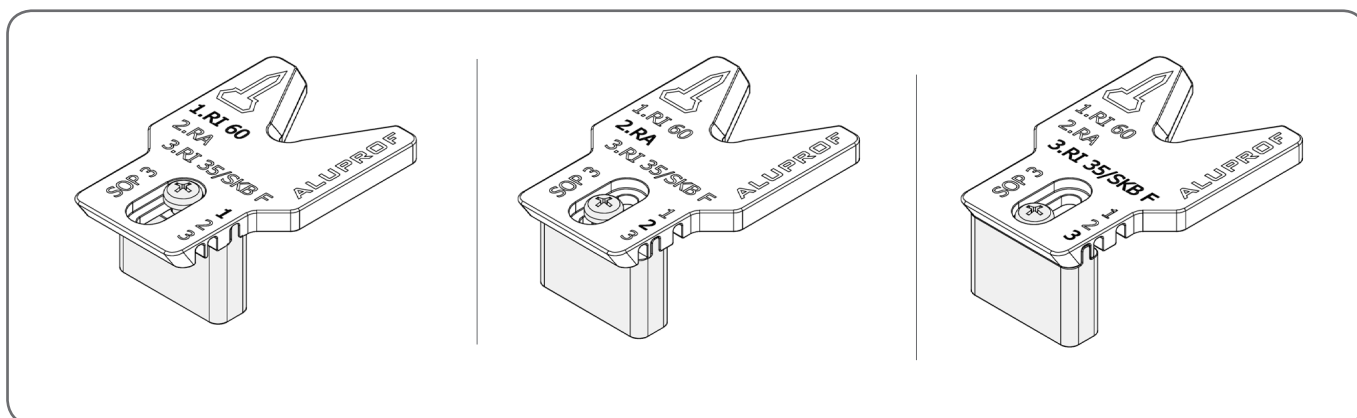


### Gabarit de traçage

Packing: 1 pcs.

### SOP3

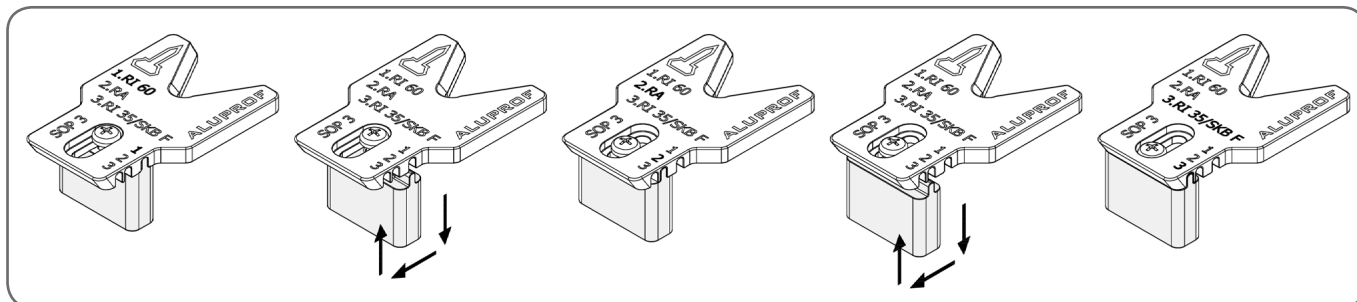
used at installation of WKR/Zn/RD-2/4x13 screws for guide channels in SKT and SKB systems



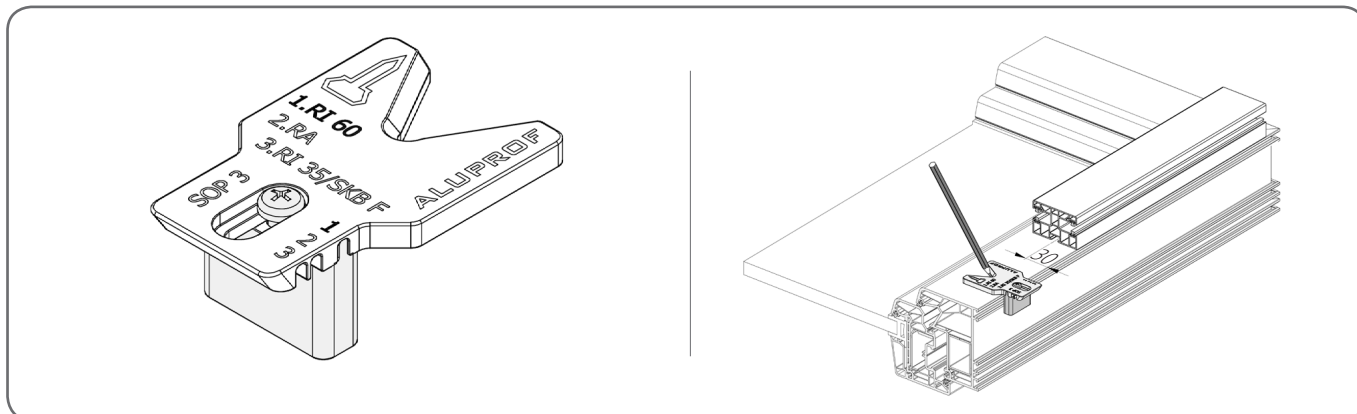
### Allocation of guide channels

Position 1 <b>RI 60</b>	Position 2 <b>RA</b>	Position 3 <b>RI 35/SKB F</b>
PP 60/12, PP 60/17 PPM 60/12, PPM 60/17 PPD 60/12, PPD 60/17 PPD-P 60/12, PPD-P 60/17 PPDA 60/12, PPDA 60/17 PPDA-P 60/12, PPDA-P 60/17 PPDM 60/12, PPDM 60/17 PPDM-P 60/12, PPDM-P 60/17 PPDMMW 60/12, PPDMMW 60/17 PPDMMW-P 60/12, PPDMMW-P 60/17	PPRA/12, PPRA/17 + APPRA 45 PPMRA/12, PPMRA/17 + APPRA 45 PPARA/12, PPARA/17 + APPARA 45	PPA 35/12, PPA 35/17 PPAM 35/12, PPAM 35/17 PPF + APPF/B 33

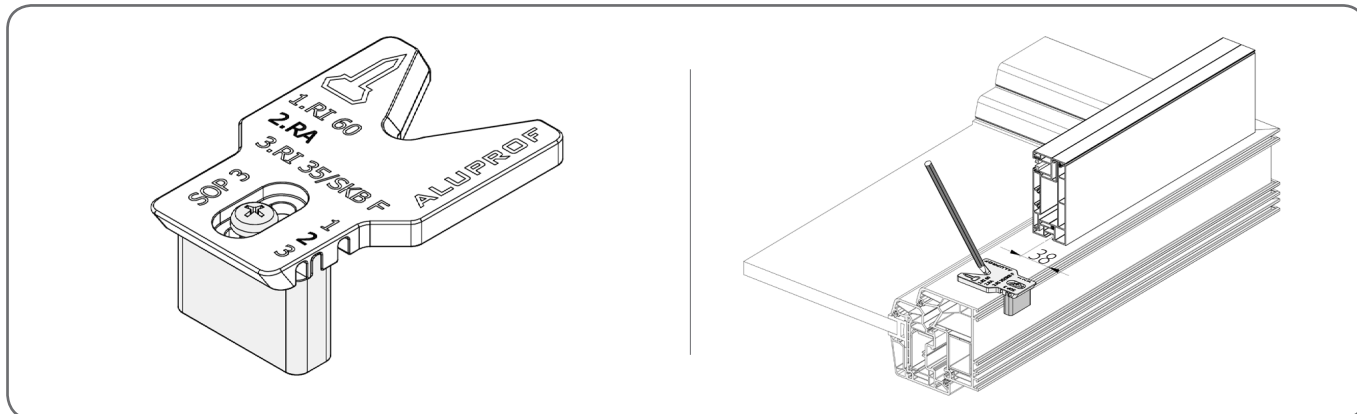
## HOW TO USE



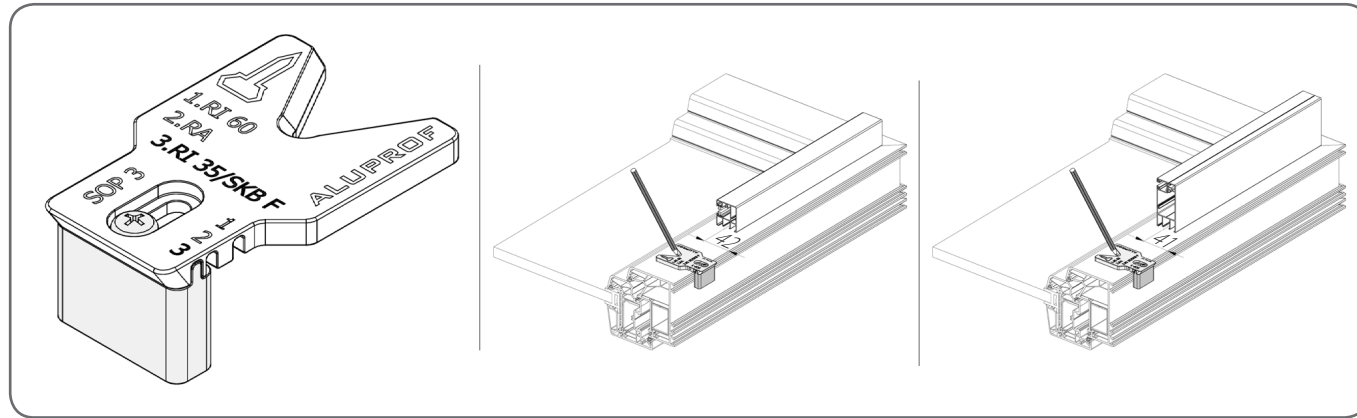
### Position 1



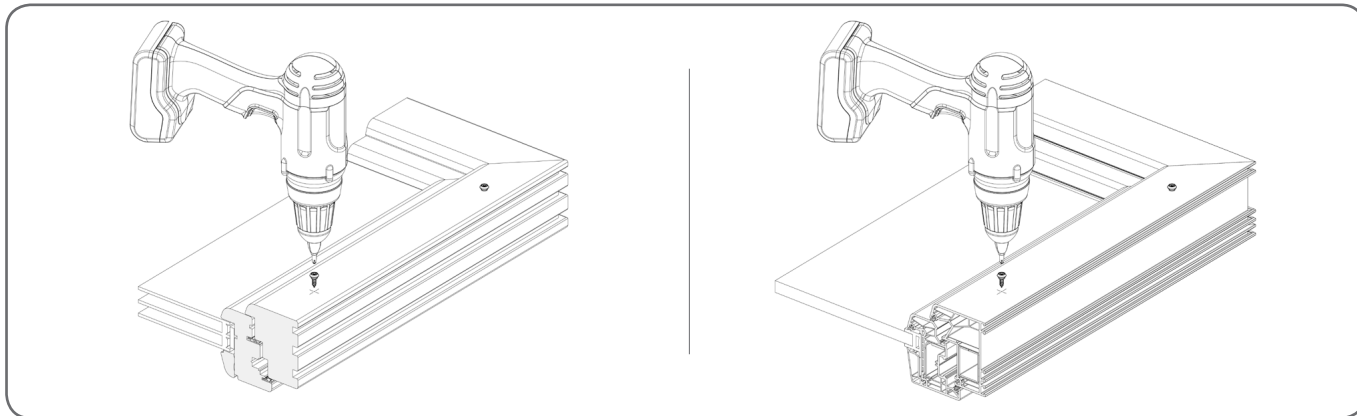
### Position 2



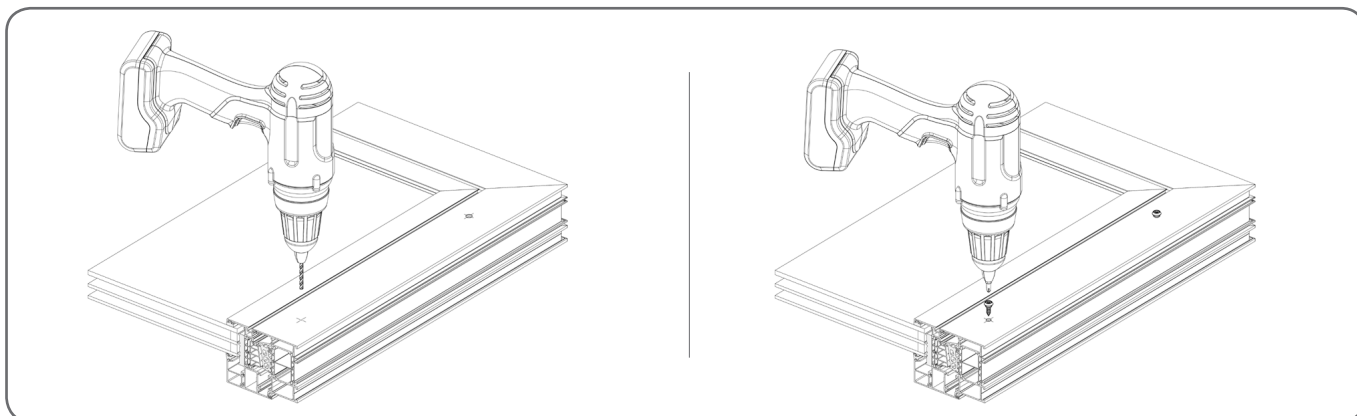
### Position 3



## For wooden and PVC window frames.



## For aluminum window frames.



 If template will get loose during use, tighten the screw.

