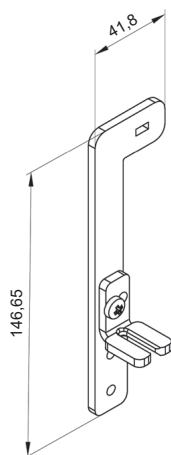


We would like to inform that starting from 01.08.2019 our offer of **SKB** system will be extended by **KWA-MKT** bracket for Moskito set.

KWA-MKT

NEW



Bracket for Moskito set

Packing: 5 set

KWA-MKT/SKB/F • for installation in SKB/F systems and with a PPZ 32 MZN insect screen guide channel.

The set contains [pcs]	
Bracket for Moskito set	1
Insect screen stopper	1
Screw M5x8	1

System SKB

Zestawienie cięcia i wykaz elementów

Where:

A - WIDTH OF VENETIAN BLINDS [mm]

A_1 - DISTANCE FROM THE END CAP TO THE OUTER EDGE OF THE GUIDE CHANNEL. PPZ32MZN [mm]

A_2 - DISTANCE BETWEEN THE OUTER EDGES OF THE GUIDE CHANNELS. PPZ32MZN [mm]

B - HEIGHT OF VENETIAN BLINDS [mm]

L - LENGTH OF THE ELEMENTS [mm]

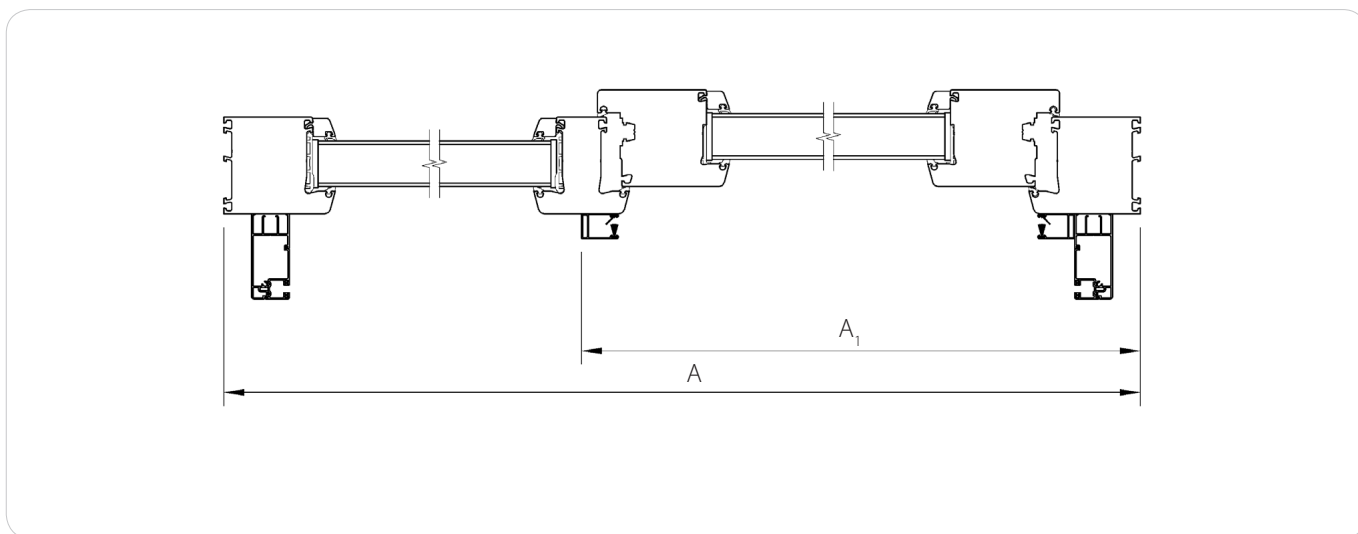
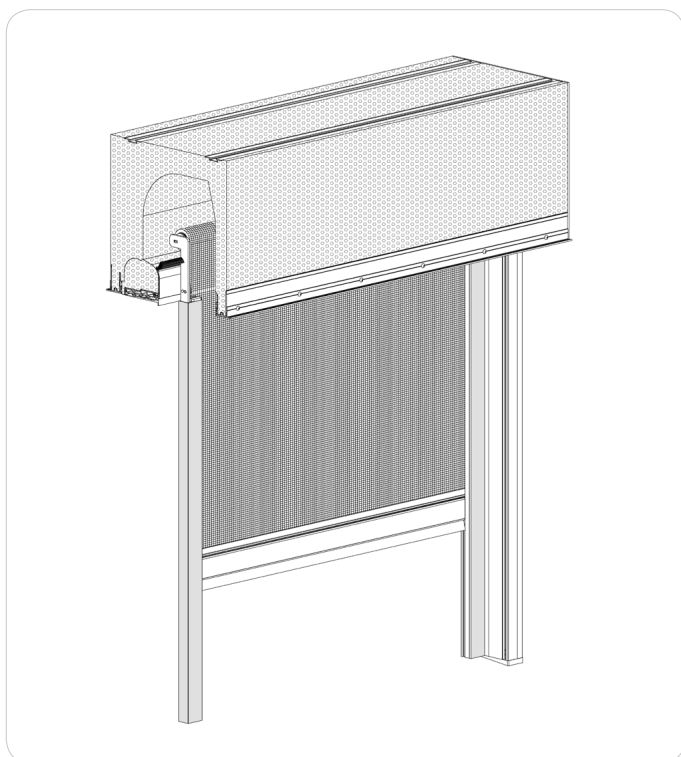
H - ELEMENT HEIGHT [mm]

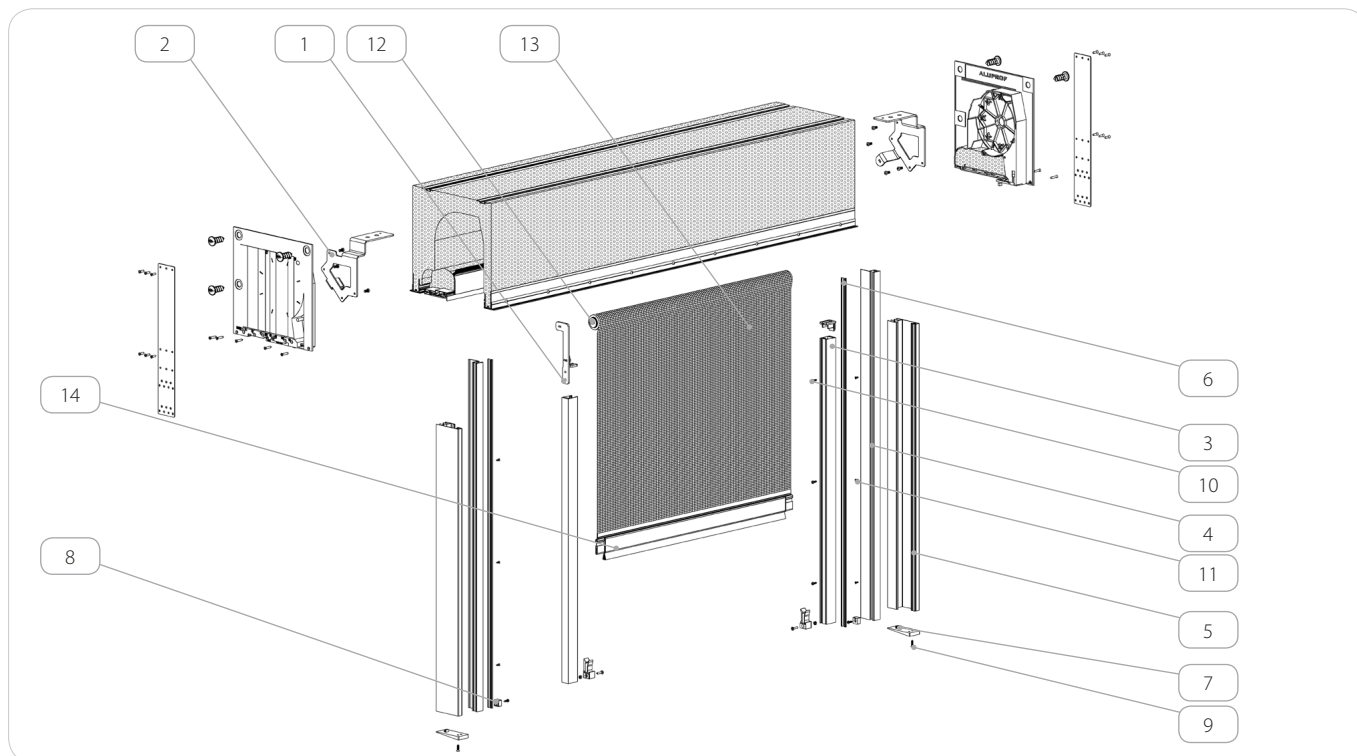
Rounding symbols

[x] - rounded up

[y] - rounded down

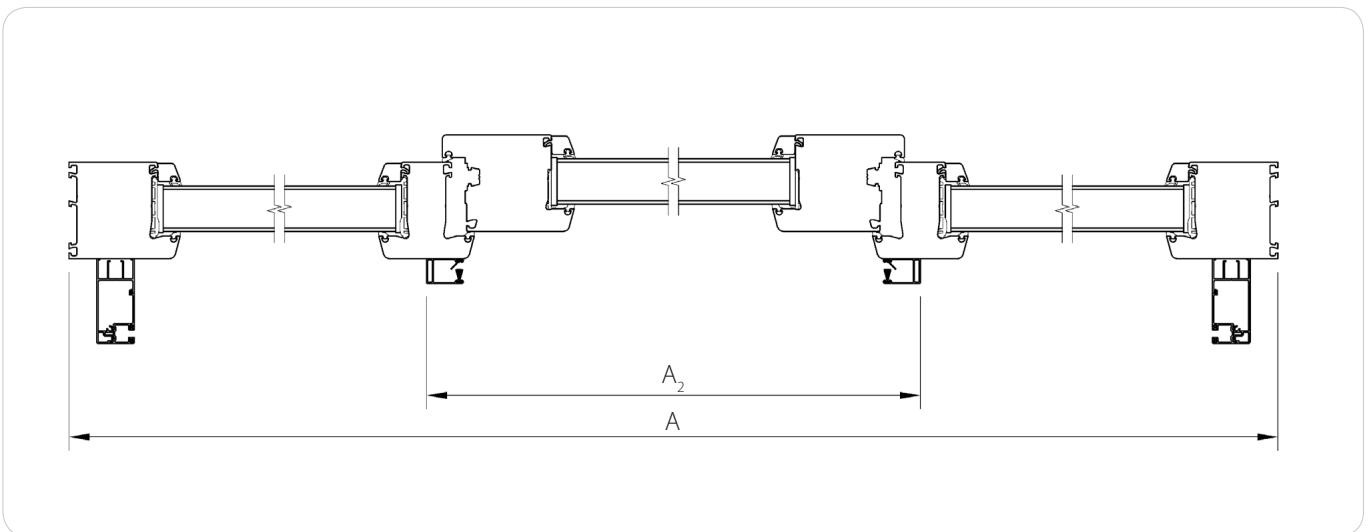
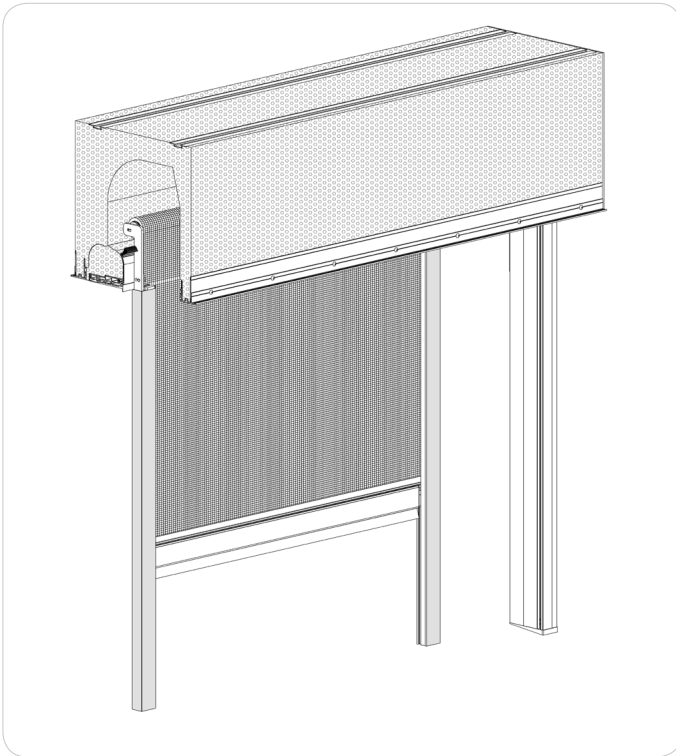
variant I

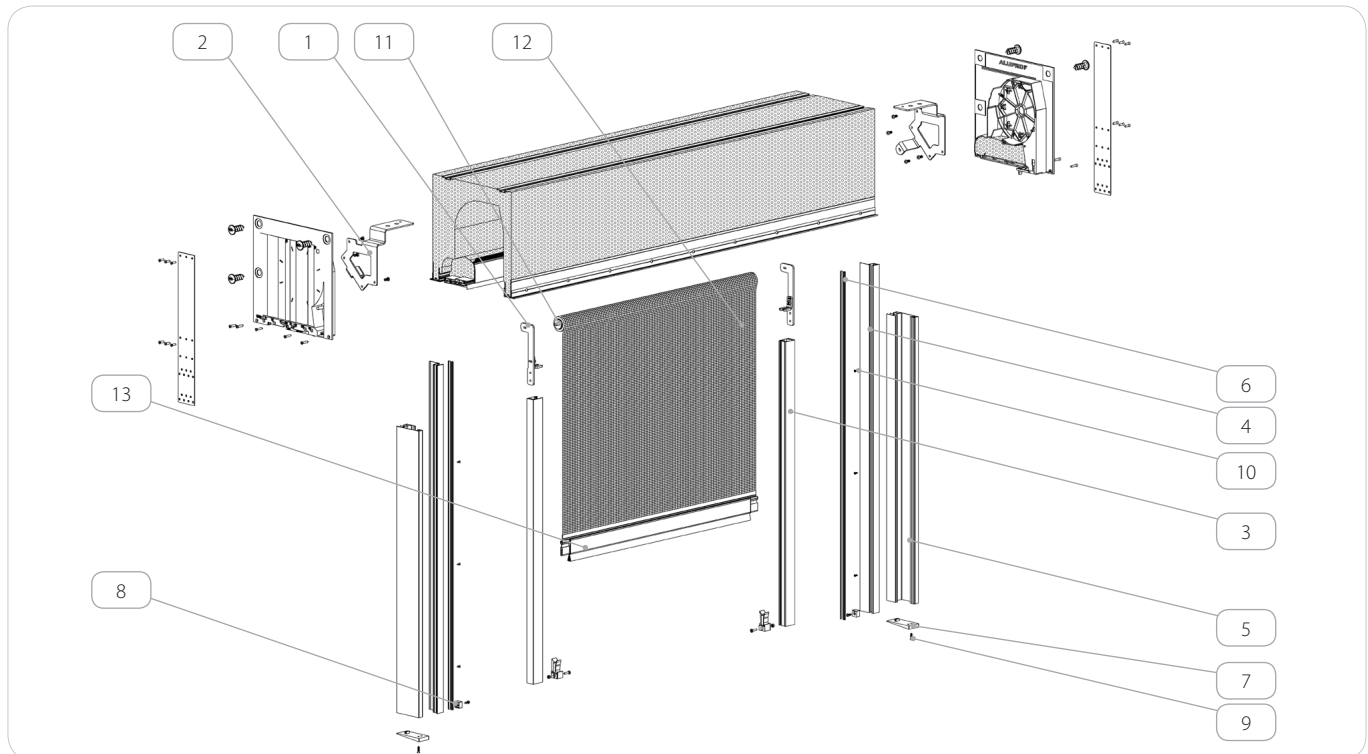




	Name of the component	Catalogue code	Length	Quantity
1.	Bracket for Moskito set	KWA-MKT/SKB/F		1 [set]
2.	Main handle of the venetian blind	UBFSKB		2 [pcs.]
3.	Guide channel for insect screen	PPZ32MZN	B - H_{BOX} - 5 [mm]	2 [pcs.]
4.	Venetian blinds guide channel	PPF	B - H_{BOX} + 150 [mm]	2 [pcs.]
5.	Venetian blinds guide channel adaptor	APPF/B/33	B - H_{BOX} [mm]	2 [pcs.]
6.	Venetian blinds guide channel seal	UPPF	L_{PPF}	4 [pcs.]
7.	Guide channel side lock	ZAPPF/B33		2 [pcs.]
8.	Venetian blinds stopper	STF		2 [pcs.]
9.	Galvanized screw 4,2x16 mm	WKR/Zn/S/4,2x16		2 [pcs.]
10.	Galvanized screw 3,5x9,5 mm	WKR/Zn/W/3,5x9,5		$\lceil \frac{[(L_{PPZ32MZN} - 200) / 500] + 1}{1} \rceil \geq 3$ [pcs.]
11.	Galvanized cone screw 2,9x9,5	WKR/Zn/S/2,9x9,5		$\lceil \frac{[(L_{APPF/B/33} - 200) / 500] + 1}{1} \rceil \geq 3$ x 2 [pcs.]
12.	Moskito set	ZMKT/F		1 [set]
13.	Round reel with mosquito-net	RNSMKT-1,6, RNSMKT-2,5	A₁ - 83 [mm]	1 [pcs.]
14.	Endslat	LDSMMKT	A₁ - 122 [mm]	1 [pcs.]

variant II

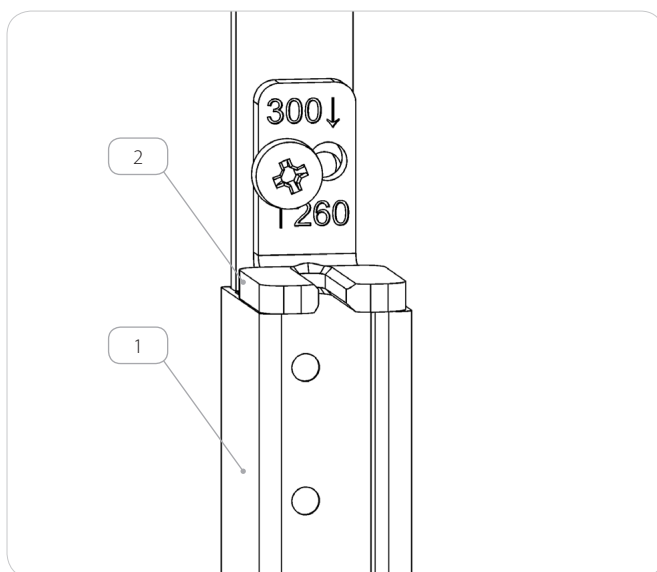
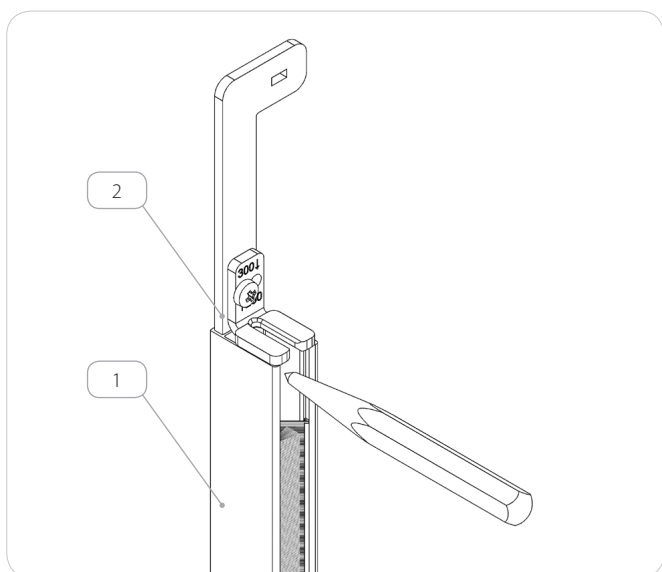
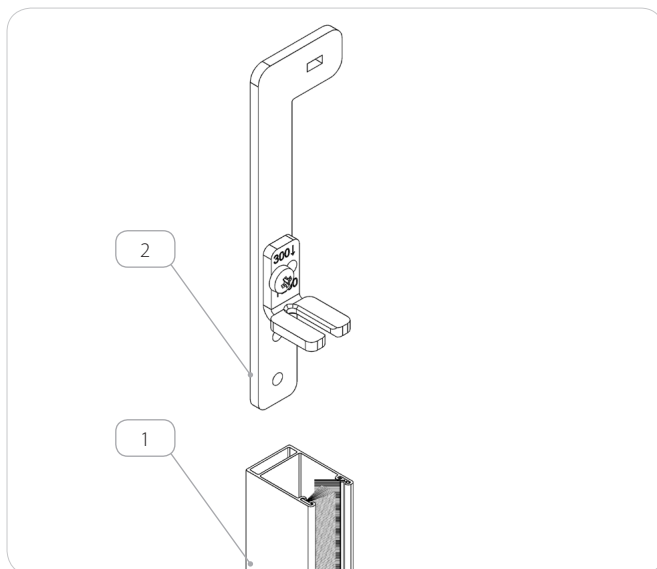
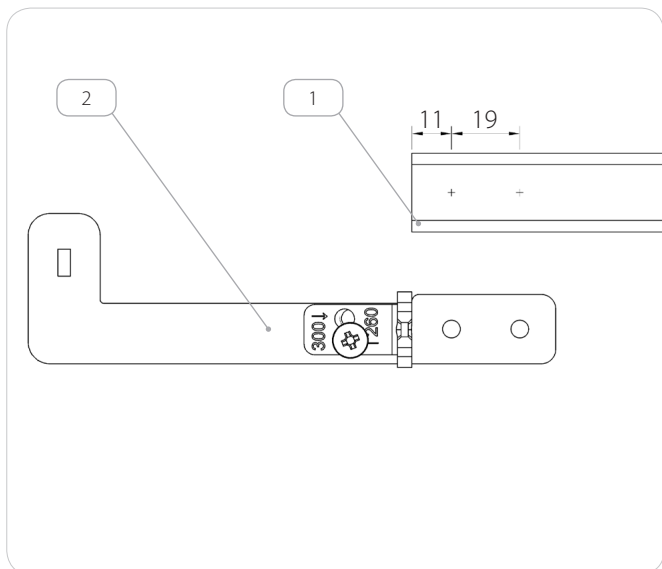




	Name of the component	Catalogue code	Length	Quantity
1.	Bracket for Moskito set	KWA-MKT/SKB/F		2 [set]
2.	Main handle of the venetian blind	UBFSKB		2 [pcs.]
3.	Guide channel for insect screen	PPZ32MZN	B - H_{BOX} - 5 [mm]	2 [pcs.]
4.	Venetian blinds guide channel	PPF	B - H_{BOX} +150 [mm]	2 [pcs.]
5.	Venetian blinds guide channel adaptor	APPF/B/33	B - H_{BOX} [mm]	2 [pcs.]
6.	Venetian blinds guide channel seal	UPPF	L_{PPF}	4 [pcs.]
7.	Guide channel side lock	ZAPPF/B33		2 [pcs.]
8.	Venetian blinds stopper	STF		2 [pcs.]
9.	Galvanized screw 4,2 x 16 mm	WKR/Zn/S/4,2x16		2 [pcs.]
10.	Galvanized cone screw 2,9x9,5	WKR/Zn/S/2,9x9,5		($\lceil \frac{(L_{APPF/B/33} - 200)}{500} + 1 \rceil \geq 3$) x 2 [pcs.]
11.	Moskito set	ZMKT/F		1 [set]
12.	Round reel with mosquito-net	RNSMKT-1,6, RNSMKT-2,5	A₂ - 30 [mm]	1 [pcs.]
13.	Endslat	LDSMMKT	A₂ - 65 [mm]	1 [pcs.]

Installation of bracket for Moskito set

KWA-MKT/SKB/F brackets should be punch with a nail punch in PPZ32MZN guide channel.



	Name of the component	Catalogue code
1.	Guide channel for insect screen	PPZ32MZN
2.	Bracket for Moskito set	KWA-MKT/SKB/F