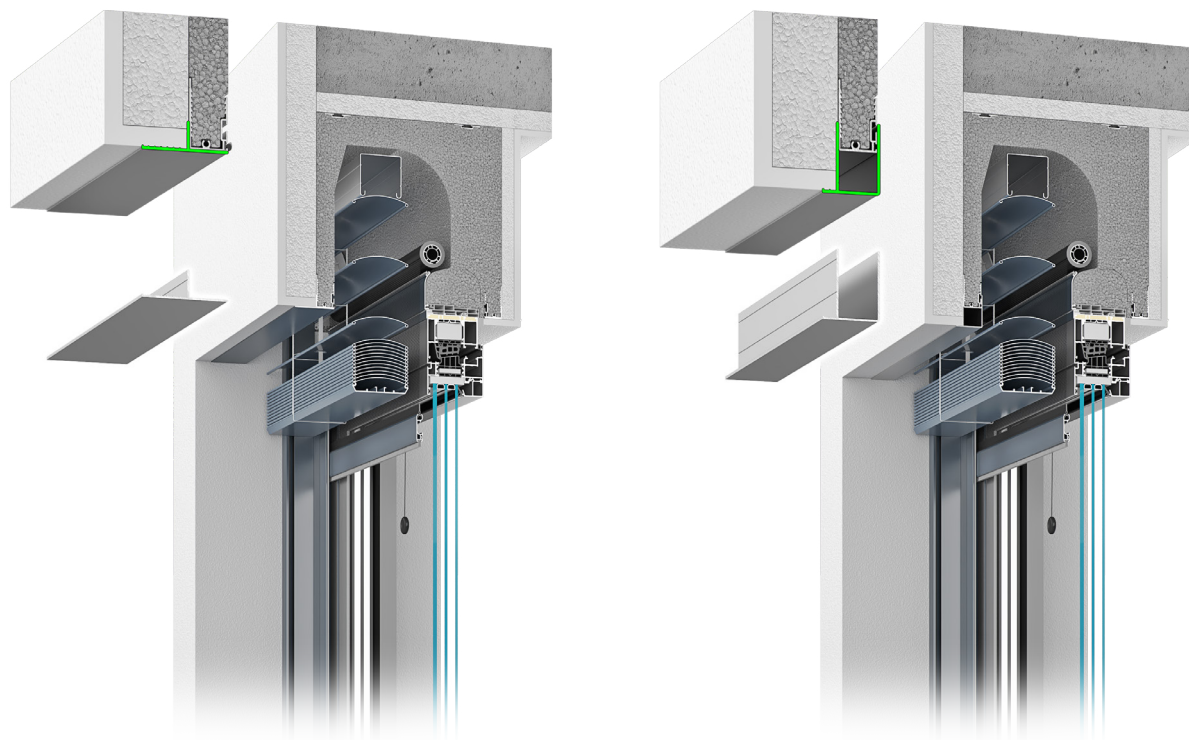
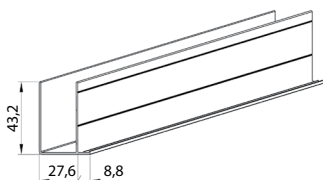


We would like to inform that starting from 01.07.2019 our offer of **SKBF** venetian blinds system will be extended by PM AWNT masking profile.



PM AWNT



Masking profile

Packing: pcs. x m

PMAWNT/x

x	Colour	
00	mill finish	5x6

System SKB

Cutting specification and list of components

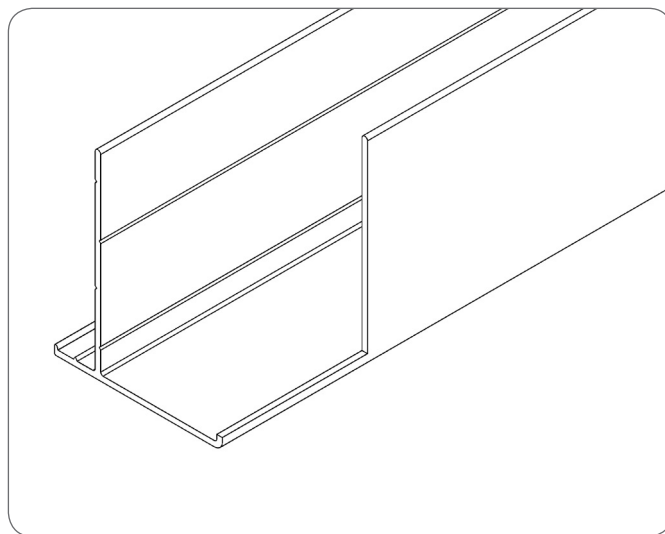
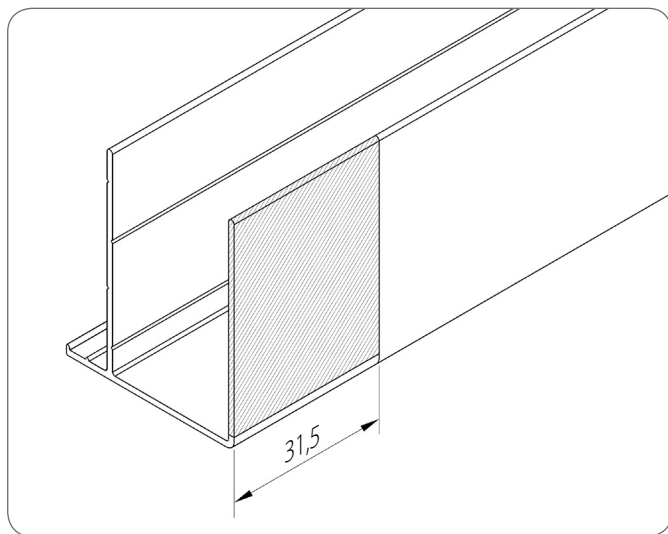
Designations:

A - WIDTH OF VENETIAN BLINDS [mm]

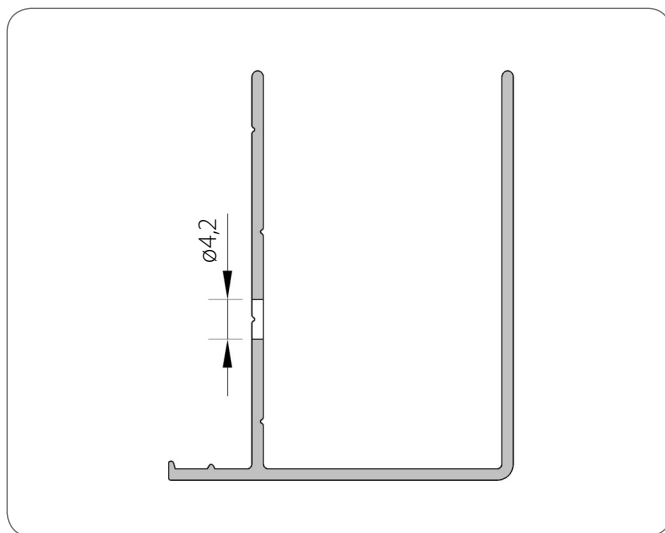
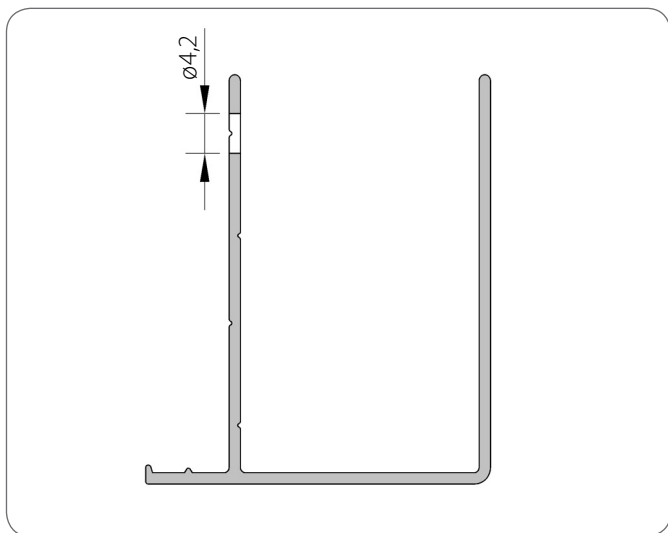
L - LENGTH OF THE ELEMENTS [mm]

	Name of the component	Catalogue code	Length	Quantity
1.	Masking profile	PMAWNT	A - 7 [mm]	1 [pcs.]
2.	Aluminium rivets 4 x 8 mm	PN4x8		$\lceil \frac{L_{PMAWNT} - 100}{150} + 1 \rceil$ [pcs.]

Profile preparation

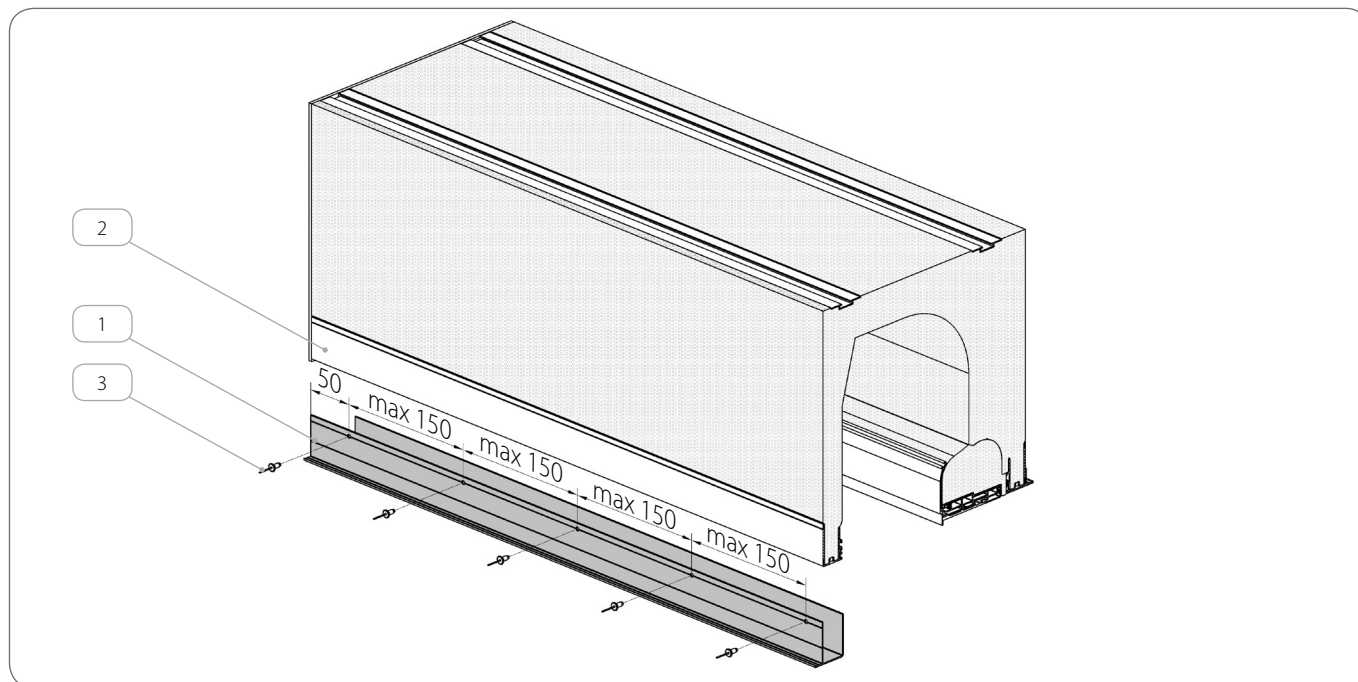


Markers on the outside of the profile determine the riveting height depending on the profile position relative to the **AWNT** bracket adapter.



Profile installation

The masking profile should be riveted to the AWNT bracket adapter.



	Name of the component	Catalogue code
1.	Masking profile	PMAWNT
2.	Bracket adapter	AWNT
3.	Aluminium rivets 4 x 8 mm	PN4x8

The installation place of the **PM AWNT** profile for the packages height of 270 and 290 mm in the SKB/300 box are marked on the inner side of the profile.

