



LET'S BUILD A BETTER FUTURE

 **SkyFlow** VENETIAN BLINDS



Functionality and aesthetics

Efficient sun management

Modern construction nowadays has to meet three criteria: functionality, economy and an interesting design. What is more, investors' expectations are also focused on obtaining the greatest possible comfort. Therefore, it is extremely important to choose the right sunshade to protect the interior from excessive heat, without restricting visibility to the outside and providing adequate optical comfort. The SkyFlow venetian blind system meets all these expectations. The well-thought-out design allows to limit the use of air conditioning devices and thus reduce costs, which can provide big savings during the year. Due to the slat angle adjustment function, it is possible to select the appropriate degree of shading, which allows the user to manage it individually according to their needs. Additionally, aesthetically profiled slats combined with aluminium guide channels and protective cassettes give the façade a modern and original look.



Tailor-made solutions



SkyFlow SZF/P
- flush-mounted

The under plaster version of the venetian blind is designed for installation in new buildings or existing ones if the necessary changes are introduced within the lintel. The protective cassette is made of extruded aluminium and has a special plaster support, allowing the plasterwork with any finishing material. **Max dimensions are: 4500 × 4000 mm.**



SkyFlow SZF/S
- self-supporting

The self-supporting version of the venetian blind has been designed mainly for façade installation in buildings with large glazing. Due to the clever design the guide channels are the load-bearing element of the system. They transfer the entire weight to the façade columns. The product provides for the possibility of modular installation in one cassette up to 6000 mm. **Max dimensions are: 4500 × 4000 mm.**

SkyFlow SZF/A - front-mounted



The venetian blind in the front-mounted version is designed for installation on the elevation or in the window recess in the already existing buildings. The protective cassette, available in 4 different variants of installation is made of 1.2 mm thick aluminium sheet. The system is available with extruded aluminium guide channels, for which telescopic handles with an adjustment are available, as well as with wire guides. **Max dimensions are: 4500 × 4000 mm.**



Complete system integration

MB-SR50 ZS
- integrated system



The MB-SR50N ZS system is an innovative solution combining the SkyFlow venetian blind system with Aluprof's mullion-transom curtain walling system MB-SR50N. It was created primarily for the construction of buildings, where the full harmony between technical and aesthetic aspects plays a special role. Taking this into consideration special pressure plates have been designed for the columns to allow the installation of the façade filling and masking plate, which also serve as a guide channel for the façade blind. Therefore, the decision to install this type of shading can be made at a later stage of the investment, when the façade is already installed in the building. In addition, the entire mechanism of the sunshade has been discreetly hidden behind an aesthetic cassette made of extruded aluminium. The product is available with an aluminium guide channel and wire guide. **Max dimensions are: 4500 × 4000 mm.**



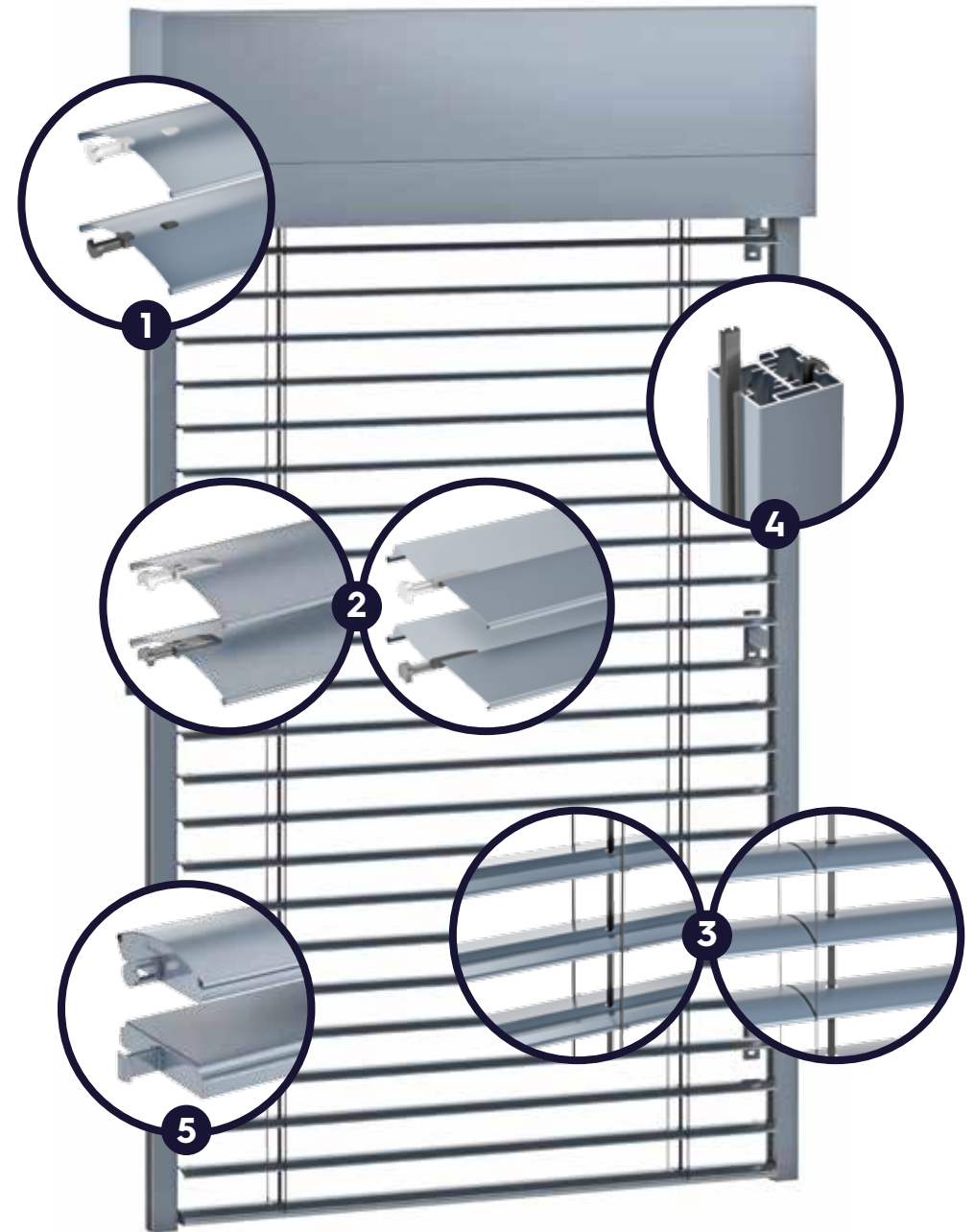
42



Innovation and technology

Thoughtful design of details

1. Two types of pins available: steel and PVC.
2. Blind slats made of aluminium sheet available in two shapes: C and Z. Stiffness and wind resistance is guaranteed in the case of blinds slats profiled in the shape of the letter C and their double-sided folding inwards. In addition, their rotation range is from 0 to 180 degrees. The slats in the shape of the letter Z are designed to provide complete shading and are additionally equipped with a special soundproofing seal. Their rotation range is from 0 to 90 degrees.
3. The textile elements of the blind are made of high quality polyester and they are thermally fixed, which guarantees high resistance to weathering, stretching, abrasion, as well as UV rays and the appearance of mould. The ladder braid is arranged in the shape of the number 8, which ensures smooth rolling. In addition, the Z90 slats are equipped with a special mechanism that provides a lower height of the package. Textiles are available in grey and black.
4. The guide channels, the only solution of this type available on the market, are equipped with special seals eliminating the noise that can arise when the slat hits the guide channel.
5. Two variants of the endslat: complete and open.



Effective protection



Depending on the used glazing and with no sunshades there is 30-80% of solar radiation in the room.



Due to the use of an internal blind only a small part of the solar energy is reflected from the glass, while the rest is absorbed into the room, emitting heat. This leads to the room overheating.



Due to the use of venetian blinds, as much as 80-90% of the sun rays are stopped in front of the glass. The sun rays are reflected and dispersed, protecting rooms from excessive overheating and monitors from the glare effect. This guarantees a suitable microclimate in the room and provides users with comfortable living and working conditions.



Intelligent control

Technological progress and increasingly affordable price resulted in the fact that nowadays, almost every sunshade is equipped with an electric motor. Electrical control not only provides comfort of use, but also lowers the building's operating costs, while ensuring the appropriate indoor microclimate. Due to the use of various accessories, such as weather sensors (wind, solar, etc.) or time automation, we can create scenarios tailored to our needs. What is more, we can remotely manage our blinds from any place and at any time using tablets or smartphones. Such solutions can also include other products, such as motion detectors, light detectors, cameras and alarm systems to make our lives easier.



Multidimensional comfort levels

Adequate access to light



Possibility of joint configuration with other systems,
such as lighting, air conditioning, alarm, awnings, etc.



Appropriate room microclimate



Possibility of control from smartphones or tablets





Tailored optical comfort, no glare effect



Automatic winding in windy conditions



Saving costs for air conditioning



Automatic opening and closing



Uniqueness and style

Perfect fit

The colour palette of venetian blind slats available in the offer will certainly satisfy all needs of the most demanding customers. Colour coatings of extruded elements are made by powder coating technique, which ensures the quality and durability of the product. Moreover, it is possible to paint them in any colour from the RAL palette to match them to the colour of the window joinery or façade.

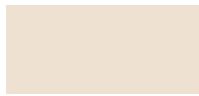
Standard colours of slats* and construction elements



x = 01 | RAL 9006
SILVER



x = 03B | RAL 7038
GREY



x = 16B | RAL 1015
IVORY



x = 20B | RAL 9005
BLACK



x = 22B | RAL 9016
ULTRA WHITE



x = 23 | RAL 7016
ANTHRACITE GREY



x = 31B | RAL 7035
LIGHT GREY



x = 37 | RAL 9007
GREY ALUMINIUM



x = 73B | RAL 7048
MOUSE GREY



x = 74B | VSR 780
COPPER BROWN



x = 75B | DB 703
METALLIC GREY

The colours shown above are for illustrative purposes only, and the actual appearance may differ from the colour shown in photographs.

* Indicates colours closest to RAL Classic, DB and VSR.





Download the folder to
yours mobile device!

ALUPROF

ALUMINIUM SYSTEMS

ALUPROF SA The Opole Plant, ul. Goślawicka 3, 45-446 Opole
tel.: 77 400 00 00 | e-mail: opole@aluprof.eu

ALUPROF SA, ul. Warszawska 153, 43-300 Bielsko-Biała
tel.: 33 819 53 00 | e-mail: aluprof@aluprof.eu



www.shutters.aluprof.eu