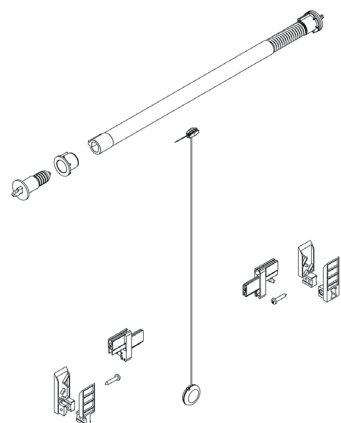


ZMKT/AC



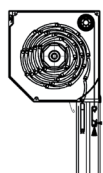
Moskito set

ZMKT/AC

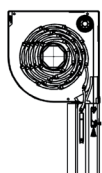
- For the installation in systems: SK, SKE, SKP, SP, SP-E, SKO-P, SKO and with double guide channel PPDO 53

Recommended number of turns of assist spring		
for the net	width (mm)	number of turns
RNS MKT-1,6/x i RNS MKT-2,5/x	550 - 1100	3 - 7
	1100 - 1600	7 - 10
	1600 - 2000	10 - 12
RNS MKT-1,6/x + brake SR 52050N	650 - 1100	13 - 15
	1100 - 1600	15 - 17
	1600 - 2000	17 - 19
RNS MKT-2,5/x + brake SR 52050N	650 - 1100	14 - 16
	1100 - 1600	16 - 18
	1600 - 2000	18 - 20

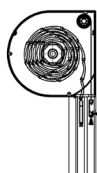
SK + MKT
SKE + MKT



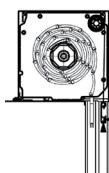
SKP + MKT



SKO + MKT
SKO-P + MKT

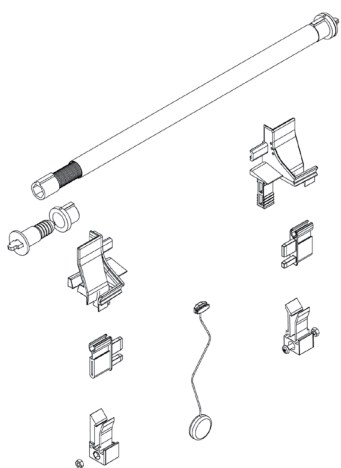


SP + MKT
SP-E + MKT



System MKT

ZMKT



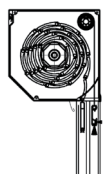
Moskito set

ZMKT

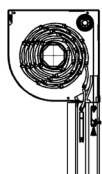
- For the installation in systems: SK, SKE, SKP, SP, SP-E, SKO-P, SKO and with double guide channel PPDO 53

Recommended number of turns of assist spring		
for the net	width (mm)	number of turns
RNS MKT-1,6/x i RNS MKT-2,5/x	550 - 1100	3 - 7
	1100 - 1600	7 - 10
	1600 - 2000	10 - 12
RNS MKT-1,6/x + brake SR 52050N	650 - 1100	13 - 15
	1100 - 1600	15 - 17
	1600 - 2000	17 - 19
RNS MKT-2,5/x + brake SR 52050N	650 - 1100	14 - 16
	1100 - 1600	16 - 18
	1600 - 2000	18 - 20

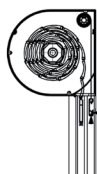
SK + MKT
SKE + MKT



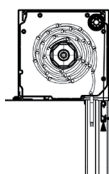
SKP + MKT



SKO + MKT
SKO-P + MKT

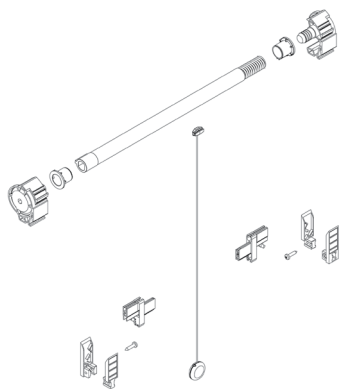


SP + MKT
SP-E + MKT



System MKT

ZMKT SKT/W/AC



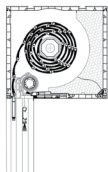
Moskito set

ZMKTSKT/W/AC

- For the installation in SKT OPOTERM system with double guide channel PPDMW, PPDMW-P

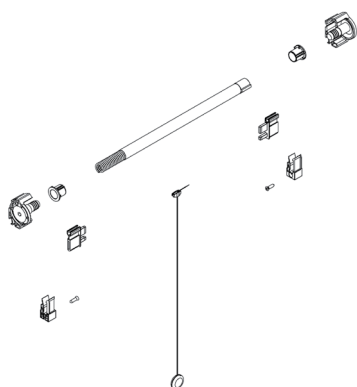
Recommended number of turns of assist spring		
for the net	width (mm)	number of turns
RNS MKT-1,6/x i RNS MKT-2,5/x	550 - 1100	3 - 6
	1100 - 1600	6 - 9
	1600 - 2000	9 - 10
RNS MKT-1,6/x + brake SR 52050N	650 - 1100	14 - 15
	1100 - 1600	15 - 17
	1600 - 2000	17 - 20
RNS MKT-2,5/x + brake SR 52050N	650 - 1100	15 - 16
	1100 - 1600	16 - 19
	1600 - 2000	19- 21

SKT NOVA + MKT



System MKT

ZMKT SKT/W



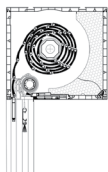
Moskito set

ZMKTSKT/W

- For the installation in SKT OPOTERM system with double guide channel PPDMW, PPDMW-P

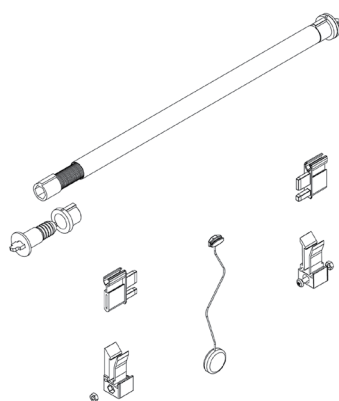
Recommended number of turns of assist spring		
for the net	width (mm)	number of turns
RNS MKT-1,6/x i RNS MKT-2,5/x	550 - 1100	3 - 6
	1100 - 1600	6 - 9
	1600 - 2000	9 - 10
RNS MKT-1,6/x + brake SR 52050N	650 - 1100	14 - 15
	1100 - 1600	15 - 17
	1600 - 2000	17 - 20
RNS MKT-2,5/x + brake SR 52050N	650 - 1100	15 - 16
	1100 - 1600	16 - 19
	1600 - 2000	19- 21

SKT NOVA + MKT



System MKT

ZMKT SKT



Moskito set

ZMKTSKT

- For the installation in SKT OPOTERM system with double guide channel PPDM, PPDM-P, PPM, PPAM

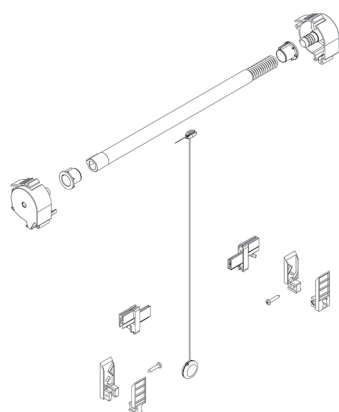
Recommended number of turns of assist spring		
for the net	width (mm)	number of turns
RNS MKT-1,6/x i RNS MKT-2,5/x	550 - 1100	3 - 6
	1100 - 1600	6 - 9
	1600 - 2000	9 - 10
RNS MKT-1,6/x + brake SR 52050N	650 - 1100	14 - 15
	1100 - 1600	15 - 17
	1600 - 2000	17 - 20
RNS MKT-2,5/x + brake SR 52050N	650 - 1100	15 - 16
	1100 - 1600	16 - 19
	1600 - 2000	19 - 21

SKT + MKT



System MKT

ZMKT/R/AC



Moskito set

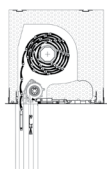
ZMKT/R/AC

- For the installation in SKB STYROTERM system with double guide channel PPMRA, PPDMW, PPDMW-P

Recommended number of turns of assist spring		
for the net	width (mm)	number of turns
RNS MKT-1,6/x + brake SR 52050N	650 - 1100	14 - 15
	1100 - 1600	15 - 17
	1600 - 2000	17 - 20
RNS MKT-2,5/x + brake SR 52050N	650 - 1100	15 - 16
	1100 - 1600	16 - 19
	1600 - 2000	19 - 21

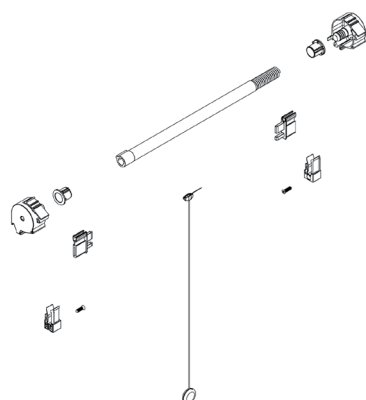
SKB RI + MKT

SKB RA + MKT



System SKB

ZMKT/R



Moskito set

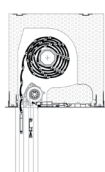
ZMKT/R

- For the installation in SKB STYROTERM system with double guide channel PPMRA, PPDMMW, PPDMMW-P

Recommended number of turns of assist spring		
for the net	width (mm)	number of turns
RNS MKT-1,6/x + brake SR 52050N	650 - 1100	14 - 15
	1100 - 1600	15 - 17
	1600 - 2000	17 - 20
RNS MKT-2,5/x + brake SR 52050N	650 - 1100	15 - 16
	1100 - 1600	16 - 19
	1600 - 2000	19 - 21

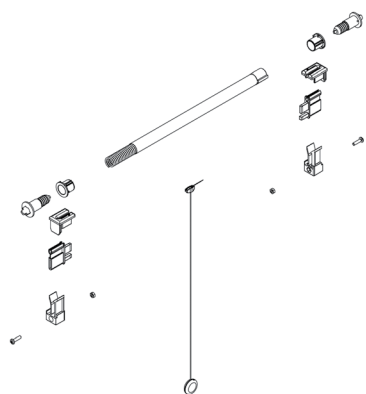
SKB RI + MKT

SKB RA + MKT



System SKB

ZMKT/F



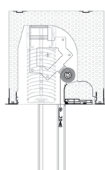
Moskito set

ZMKT/F

- to montage with SKB STYROTERM system and with guide channel APPF/B 33 adaptor

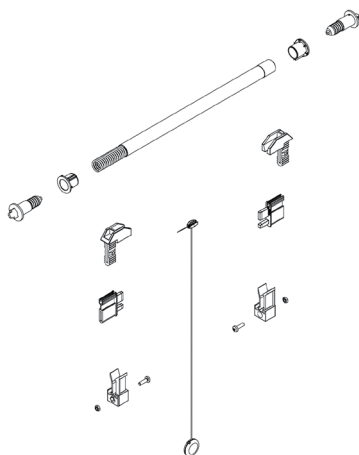
Recommended number of turns of assist spring		
for the net	width (mm)	number of turns
RNS MKT-1,6/x i RNS MKT-2,5/x	550 - 1100	3 - 6
	1100 - 1600	6 - 9
	1600 - 2000	9 - 10
RNS MKT-1,6/x + brake SR 52050N	650 - 1100	14 - 15
	1100 - 1600	15 - 17
	1600 - 2000	17 - 20
RNS MKT-2,5/x + brake SR 52050N	650 - 1100	15 - 16
	1100 - 1600	16 - 19
	1600 - 2000	19 - 21

SKB/F + MKT



System SKB

ZMKT ZF



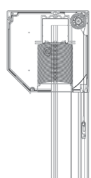
Moskito set

ZMKTZF

- to montage with SKEF system and with guide channel APPFM adaptor

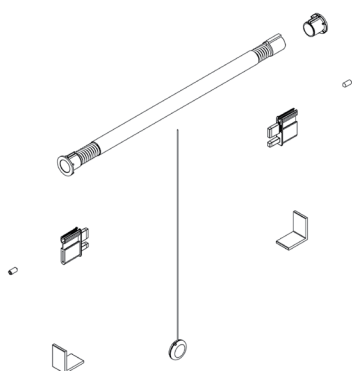
Recommended number of turns of assist spring		
for the net	width (mm)	number of turns
RNS MKT-1,6/x i RNS MKT-2,5/x	550 - 1100	3 - 6
	1100 - 1600	6 - 9
	1600 - 2000	9 - 10
RNS MKT-1,6/x + brake SR 52050N	650 - 1100	14 - 15
	1100 - 1600	15 - 17
	1600 - 2000	17 - 20
RNS MKT-2,5/x + brake SR 52050N	650 - 1100	15 - 16
	1100 - 1600	16 - 19
	1600 - 2000	19- 21

SKEF + MKT



System SKEF

ZMZH



Moskito set

ZMZH

- for installation of the roller insect screen MZH with hook-in connection and guide channels: PPZ 32 MZN, PPZ 32/ODS MZN

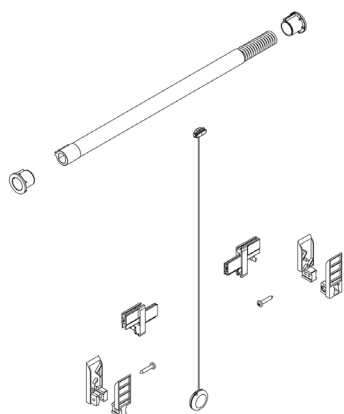
Recommended number of turns of assist spring		
for the net	width (mm)	number of turns
RNS MKT-1,6/x i RNS MKT-2,5/x	550 - 1100	4 - 7
	1100 - 1600	7 - 8
	1600 - 2000	8 - 9
RNS MKT-1,6/x + brake SR 52050N	650 - 1100	13 - 15
	1100 - 1600	15 - 16
	1600 - 2000	16 - 18
RNS MKT-2,5/x + brake SR 52050N	650 - 1100	15 - 18
	1100 - 1600	18 - 20
	1600 - 2000	20 - 22

MZN



System MZN

ZMZN/AC



MZN



System MZN

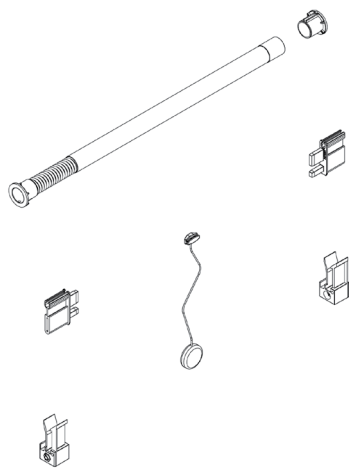
Moskito set

ZMZN/AC

- for installation of the roller insect screen MZN and guide channels:
PPZ 32 MZN, PPZ 32/ODS MZN

Recommended number of turns of assist spring		
for the net	width (mm)	number of turns
RNS MKT-1,6/x i RNS MKT-2,5/x	550 - 1100	4 - 7
	1100 - 1600	7 - 8
	1600 - 2000	8 - 9
RNS MKT-1,6/x + brake SR 52050N	650 - 1100	13 - 15
	1100 - 1600	15 - 16
	1600 - 2000	16 - 18
RNS MKT-2,5/x + brake SR 52050N	650 - 1100	15 - 18
	1100 - 1600	18 - 20
	1600 - 2000	20 - 22

ZMZN/A



MZN



System MZN

Moskito set

ZMZN/A

- for installation of the roller insect screen MZN and guide channels:
PPZ 32 MZN, PPZ 32/ODS MZN

Recommended number of turns of assist spring		
for the net	width (mm)	number of turns
RNS MKT-1,6/x i RNS MKT-2,5/x	550 - 1100	4 - 7
	1100 - 1600	7 - 8
	1600 - 2000	8 - 9
RNS MKT-1,6/x + brake SR 52050N	650 - 1100	13 - 15
	1100 - 1600	15 - 16
	1600 - 2000	16 - 18
RNS MKT-2,5/x + brake SR 52050N	650 - 1100	15 - 18
	1100 - 1600	18 - 20
	1600 - 2000	20 - 22