

## AL-SW01 USER MANUAL

### General information

The AL-SW01 controller is a device designed to control a single roller shutter or blind drive, optionally two lighting circuits. It communicates with remote controls and control units in the 433 MHz band. It is mounted in a standard flush-mounted box as a switch. It works exclusively with actuators without a built-in radio control unit; it works with all transmitters and sensors of the AC and DC series by ALUPROF S.A.

### Electronic manual



Read the electronic version of the manual and get additional advice and information by scanning the QR code or by visiting the website: [omne.pl/sw01](http://omne.pl/sw01)

### Safety notices

- Installation of AL-SW01 requires BS 7671 certification or NVQ Level 3 in Electrotechnical Services.
- Check current requirements with the local regulator before installation.
- The device is designed to operate in a dry room. Installation possible only in places without exposure to dripping water.
- Disconnect the power supply to the device during installation.
- The AL-SW01 device should be powered by a separate circuit and protected by a fast-acting fuse.
- The device must not be exposed to any liquids.
- The device should be used for the purposes for which it was intended.
- Do not damage the device. Disconnect the device from the power supply immediately if it is damaged or malfunctions.
- Do not exceed the maximum output load of the device.
- Do not dry the device with a dryer or other heat-producing device.
- Do not expose the device to weather conditions and sunlight.
- The device must not be used in an explosive atmosphere. Do not use an aerosol near the device. Do not use the device if a gas leak is detected.
- Do not modify the device.
- Do not install, maintain or operate the device with wet hands.
- This appliance can be used by children from 8 years of age and persons with reduced physical, sensory or mental capabilities or lack of experience and knowledge, under the supervision of a responsible person or after having received appropriate instructions on the safe use of the device and the possible risks associated with it.
- The device is not a toy.
- Children should not clean or operate the device without supervision.
- Do not bend the power cord excessively or place heavy objects on it. In addition, before turning on the power, check and make sure that the device is properly connected and that the insulation of the power cables is in good condition.
- If the device malfunctions or a short-circuit of the electrical outputs is detected, disconnect the voltage on the device by cutting off the power

supply in the building's power grid. Do not touch the product. In order to rectify the problem, please contact a qualified installer. In case of fire, use a fire extinguisher to extinguish equipment under voltage up to 1000 V.

### Package contents

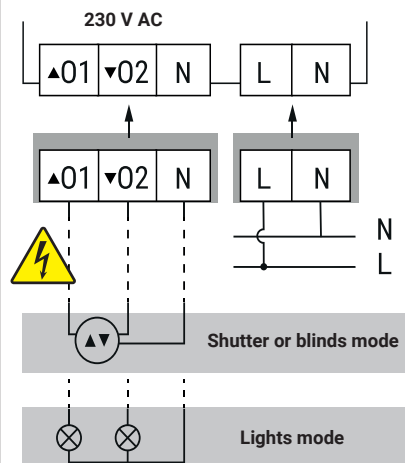
- AL-SW01 device,
- user manual.

### Technical specifications

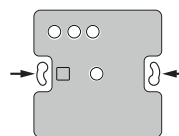
Device model:	AL-SW01
Power:	230VAC/50Hz
Max. total current load of output contacts:	5A
Radio working frequency:	433.92 MHz
Radio transmission power:	10mW
Transmission range:	~80 m (~260 ft) (open area), ~20 m (~70 ft) (built-up area)
Level of security:	IP40
Temperature of use:	0°C to +45°C (32 °F to 113 °F)
Device dimensions:	86 mm x 86 mm x 34 mm (3.4 in x 3.4 in x 1.3 in)

### Device assembly

- The actuators with which the device can work cannot have a built-in radio control unit.
- The device is intended for installation in a flush-mounted box with a minimum diameter of 60 mm and a depth of 45 mm.
- After disconnecting the power supply, connect the device electrically as shown in the diagram below.
- Make sure the device is connected correctly. After that, secure the screws of the electrical terminals with a strip of insulating tape.



- The AL-SW01 device should be mounted to the flush-mounted box using the screws supplied with the flush-mounted box, screwing the device through two bean-shaped holes shown in the figure.

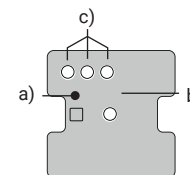


### Device configuration

- i** It is recommended to configure the following devices in blinds mode:
  - blinds using the AC152-06 transmitter.
  - blinds using a motor with a slow start function.

### Operating mode change

- i** By default, the factory device is set to operate in the blinds mode.



To change the operating mode, press the PROG button (a) 5 times. Each pressing of the PROG button is confirmed by the flashing of the indicator light (b). The change will be confirmed by the lighting of the LED indicator next to the next mode icon (c) (light/blind/shutter). To make another change, repeat the operation.



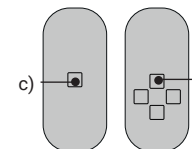
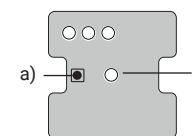
### Adding new remotes



#### In the shutter or blinds operating mode

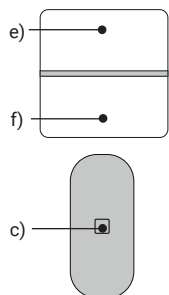
- !** Following sequences of the procedure of adding a new remote should be performed within a limited time (15 seconds) starting from the initiation of programming mode.
- i** The device signals operation in the programming mode by flashing the LED (b).

#### 1. Using the PROG button



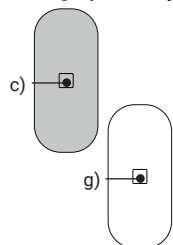
- In order to add a new remote control, enter the programming mode by pressing the PROG (a) button 3 times. Each pressing of the PROG button is confirmed by the flashing of the indicator light (b).
- On the remote control, press the P2 (c) button (see the remote control manual), which will be confirmed by a short up and down movement of the blinds.
- After that, press the P2 (c) button on the remote control again, which will be confirmed by an up and down movement of the blind once again.
- Then, confirm the setting by pressing the "up" button (d) on the remote control, which will be confirmed by an up and down movement of the blinds.

## 2. Using the UP + DOWN button



- In order to enter the programming mode of new remotes, hold down both control buttons (UP + DOWN) (e + f) for 2 seconds.
- On the remote control, press the P2 (c) button (see the remote control manual), which will be confirmed by a short up and down movement of the blinds.
- After that, press the P2 (c) button on the remote control again, which will be confirmed by an up and down movement of the blinds once again.
- Then, confirm the setting by pressing the "up" button (d) on the remote control, which will be confirmed by an up and down movement of the blinds.

## 3. Using a previously added remote



- On a previously added remote control, press the P2 (c) button (see the remote control manual), which will be confirmed by a short up and down movement of the blinds.
- After that, you have 3 seconds to press the P2 (c) button on the added remote control again, which will be confirmed by an up and down movement of the blinds once again.
- Then press the P2 (g) button on the new remote control (see remote control manual). The confirmation of another remote being added is an up and down movement of the blinds.

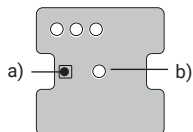


## In the lights operating mode

**!** Following sequences of the procedure of adding a new remote should be performed within a limited time (15 seconds) starting from the initiation of programming mode.

**i** The device signals operation in the programming mode by flashing the LED (b).

## 1. Using PROG button



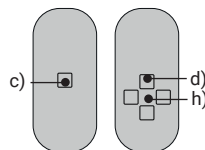
In order to add a new remote control, enter the programming mode by pressing the PROG (a) button 3 times. Each pressing of the PROG button is confirmed by the flashing of the indicator light (b).

### 1.1. Adding a remote to control the O1 output

- On the remote control, press the P2 (c) button (see the remote control manual), which will be confirmed by the flashing of the indicator light.
- Then confirm the setting by pressing the "up" button (d) on the remote control, which will also be confirmed by the device with a flashing light.

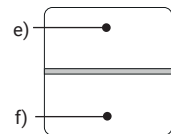
### 1.2. Adding a remote to control the O2 output

**!** Make sure the device is in programming mode.



- On the remote control, press the P2 (c) button (see the remote control manual), which will be confirmed by the flashing of the indicator light.
- After that, press the P2 (c) button on the remote control again, which will again be confirmed by the flashing light.
- Then confirm the setting by pressing the "up" button (d) on the remote control, which will be confirmed by the light flashing.

## 2. Using the UP + DOWN button



In order to enter the programming mode of new remotes, hold down both control buttons (UP + DOWN) (e + f) for 2 seconds.

### 2.1. Adding a remote to control the O1 output

- On the remote control, press the P2 (c) button (see the remote control manual), which will be confirmed by the flashing of the indicator light.
- Then confirm the setting by pressing the "up" button (d) on the remote control, which will also be confirmed by the device with a flashing light.

### 2.2. Adding a remote to control the O2 output

**!** Make sure the device is in programming mode.

- On the remote control, press the P2 (c) button (see the remote control manual), which will be confirmed by the flashing of the indicator light.
- After that, press the P2 (c) button on the remote control again, which will be confirmed by the flashing light again.
- Then confirm the setting by pressing the "up" button (d) on the remote control, which will also be confirmed by the device with a flashing light.

## Deleting remotes

In order to delete all previously added remotes from the memory, press the PROG (a) button 7 times. Each pressing of the PROG button is confirmed by the flashing of the indicator light (b). The device will confirm the deletion of all added remotes by alternating blinking of the LEDs (b).

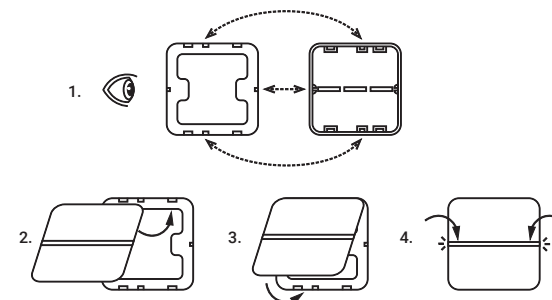
## Deleting one transmitter

In order to delete one transmitter from the memory:

- press button P2 (c), which will be confirmed by blinds moving up and down.
- Press the STOP (h) button, which will be confirmed by blinds moving up and down.
- Press button P2 (c), which will be confirmed by blinds moving up and down.

The transmitter has been deleted.

## Mounting the front housing panel



Check the location of the asymmetric latches on the inside of both housings (1). Align them by sliding the tops of the front cover into the tabs on the wall-mounted cover (2). Then, insert the latches on the bottom of the chassis (3). At the very end, snap the latches in the middle part on the sides (4).

## Device cleaning and maintenance

The powered device can only be vacuumed with a dry cloth or brush. Do not use steam cleaners or detergents. The device is not waterproof. Wipe with a slightly damp cloth only after disconnecting the power supply. Only turn on the power after the device has dried itself. Cannot be dried with hot air or any other heat source.

## Device disposal



The crossed-out wheeled bin symbol indicates that the AL-SW01 must not be disposed of as unsorted waste. Such a product must go to a separate collection point, where it will be subjected to recovery and recycling processes. Please contact your local authorities for information on disposal of electronic devices in your territory.

## Compliance with standards

Mobile Labs Sp. z o.o. declares that the device complies with the following directives: 2014/53/EU, 2014/35/EU, 2014/30/EU  
Declarations of conformity are available on the website at: [omne.pl/sw01](http://omne.pl/sw01)

## Manufacturer data

MOBILE LABS Sp. z o.o.  
Gromadzka 12,  
61-655 Poznań, Poland